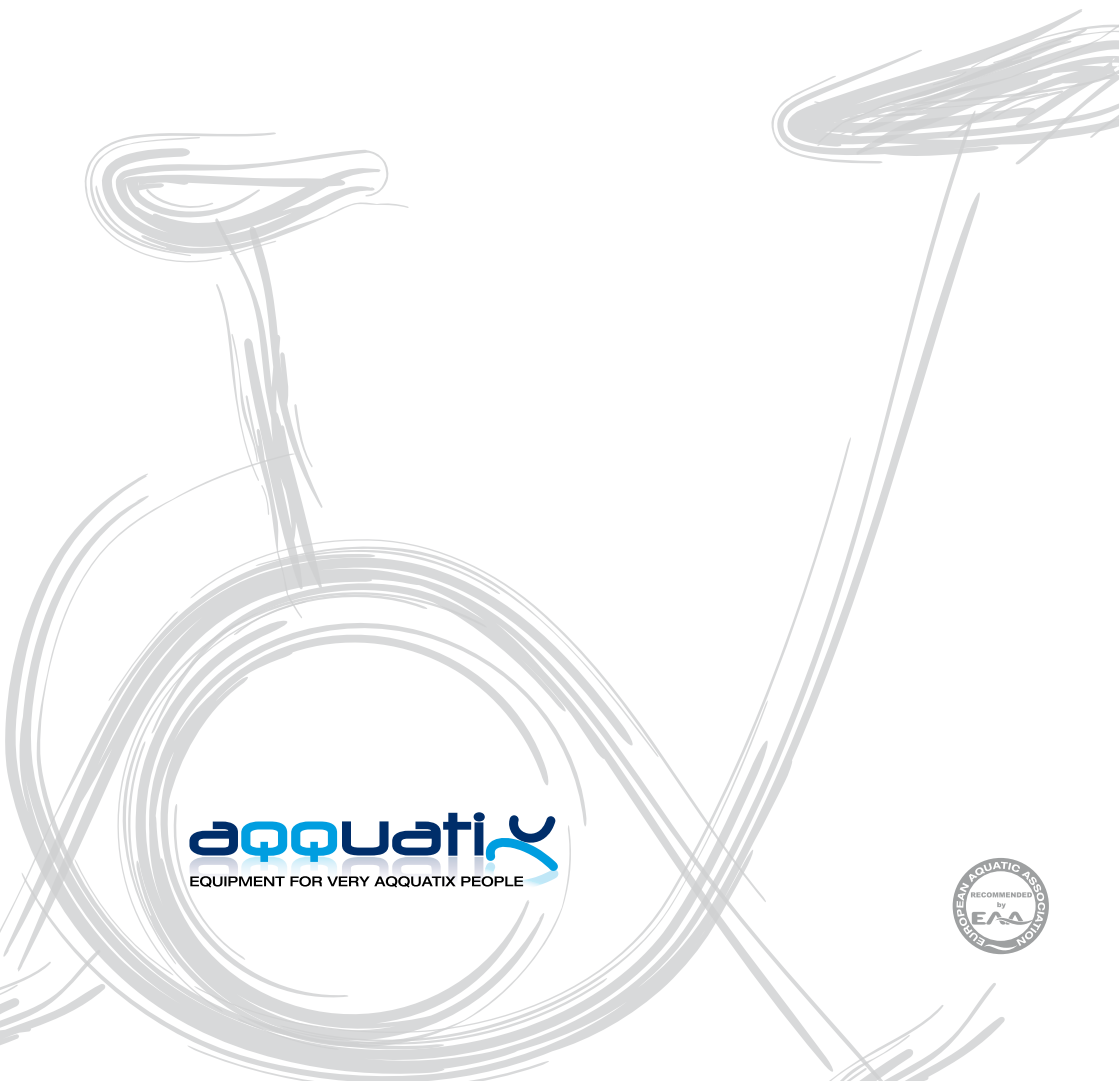


...

AQUACTIVE BIKE

INSTRUCTION MANUAL



aqquatix
EQUIPMENT FOR VERY AQUATIX PEOPLE



THIS MANUAL WAS WRITTEN BY: AQQATIX USA. ALL RIGHTS RESERVED.



INDEX

1.	Introduction	page 2
2.	Important safety precautions	page 3
3.	Equipment presentation	page 4
4.	Structural and technical features	page 5
5.	User instructions	page 6
6.	Handling and storage	page 6
7.	Maintenance	page 7
8.	Replacement parts	page 8
9.	Technical assistance	page 10
10.	Warranty	page 11

1 INTRODUCTION

- • • *Aqqatix USA would like to congratulate you on your choice: AQUACTIVE BIKE is the ultimate aquatic bike on the international market. It is the result of both careful research and extensive experience in the aquatic sports' equipment field. The growing popularity of aquatic exercise requires both reliable and functional equipment to enhance your aquatic training regimen and your choice of the AQUACTIVE BIKE will allow you to achieve your goals in an innovative and exciting manner.*

Enjoy your AQUACTIVE BIKE!

IMPORTANT SAFETY PRECAUTIONS

2 **IMPORTANT SAFETY PRECAUTIONS**

- • • **WARNING:** To reduce the risk of serious injury read all the instructions and safety precautions in this manual carefully before using the equipment. Keep the manual for future reference.

note 1 It is the responsibility of the owner of AQUUACTIVE BIKE to adequately inform any AQUUACTIVE BIKE user of the safety precautions listed here.

note 2 It is essential to be aware of all the risks and dangers associated with the use of this equipment in order to prevent injury.

note 3 Operate AQUUACTIVE BIKE only in accordance with this instruction manual. Any other use should be considered improper and consequently dangerous.

note 4 AQUUACTIVE BIKE is designed primarily for fitness and exercise activities to be carried out in controlled aquatic conditions.

note 5 Position the AQUUACTIVE BIKE on a flat surface. The parallel base bars are equipped with four suction cups allowing adherence to the floor of the pool.

note 6 Keep feet and hands away from moving parts.

note 7 When using the AQUUACTIVE BIKE always wear appropriate clothing, including soft rubber shoes/socks and swimming caps.

note 8 In case of dizziness or any type of pain during use, stop immediately, get out of the pool and consult a physician.

- • • **WARNING:** Before beginning this or any other training program, consult your physician. This is important particularly in the case of persons with pre-existing health problems. Read all instructions before use. Aqqatix USA does not assume responsibility for personal injuries or damage sustained while using this product.

EQUIPMENT PRESENTATION



3 EQUIPMENT PRESENTATION

- • • *Aquactive Bike's* innovative design is the result of careful, detailed research and our desire to produce reliable and innovative equipment.
- • • The frame is made out of polished AISI 316L stainless steel.
- • • All the components has been chosen to be long lasting and guarantee comfort and safety for the user.
- • • The handlebar and saddle are easy to adjust based on each individuals requirements.

**STRUCTURAL AND
TECHNICAL FEATURES**

4 STRUCTURAL AND TECHNICAL FEATURES

1. Tubular AISI 316L stainless steel frame. 2. Rubber anti-scratch wheels to allow the equipment to be lowered into or removed from the pool easily. 3. Comfortable saddle. 4. Saddle adjustment by means of a spring loaded safety screw. 5. Handlebar designed to allow for various grip positions when exercising. 6. Vertical handlebar adjustment by means of a spring loaded safety screw. 7. Horizontal handlebar adjustment. 8. Mechanical brake with intensity adjustment system (+ clockwise, - counterclockwise). 9. Pedals designed for comfortable foot placement. 10. Suction cups attached to base for extra stability when in use. 11. Production serial number.



5 USER INSTRUCTIONS

- • • The Bike's most outstanding feature is its adjustable resistance which allows aqua cycling at different levels of effort. Resistance remains constant at every setting for uniform, smooth motion. Water is still the most important element in this exercise as it provides the resistance which keeps the speed constant and provides the force against which your muscles are working. This helps with improving muscle performance, rehabilitation for muscle, joint injuries and cardio vascular fitness.
- • • Every user should be educated as to the correct position on the bike in order to allow for a positive and effective workout. The saddle adjustment should be done before the beginning of the training session. When the pedal reaches its lowest point in the rotation, the knee angle should never be greater than 150°. A fully extended knee may cause dangerous hip movement which could cause the user to over balance. The height of the handlebar should be just above the saddle to prevent stress and injury to the lumbar region. The horizontal handlebar adjustment: should prevent the arms from being fully extended or stiff in order to avoid tension during the training session.

6 HANDLING AND STORAGE

- • • Your Bike is shipped in packaging designed to prevent damage during transportation. If the packaging is damaged on arrival, please inform the freight carrier immediately.
- • • The removable parts (saddle, handlebar, pedals) have been removed to avoid damage during transportation, but can be easily and quickly reassembled. For further instructions for the assembly of the bike, please view the enclosed dvd.
- • • The Bike's small rubber wheels allow for easy lowering into and removal from the pool.

**ATTENTION!**

We recommend to take the bike out of water when not in use (e.g. during the night).

Avoid storing the Aquactive Bike close to the swimming pool or in thoroughfares in order to avoid accidents.

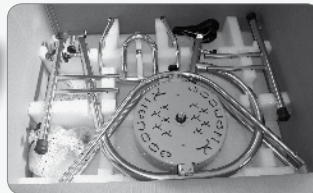
MAINTENANCE

7 MAINTENANCE

- • • The AQUACTIVE BIKE does not require any special maintenance. It is recommended that you periodically check the tightness of all bolts and the condition of the rubber base feet and saddle.
- • • If the AQUACTIVE BIKE is used in salt water or thermal pools, rinse the AQUACTIVE BIKE thoroughly with fresh water to avoid build up of chemical deposits and residues.

PACKAGE

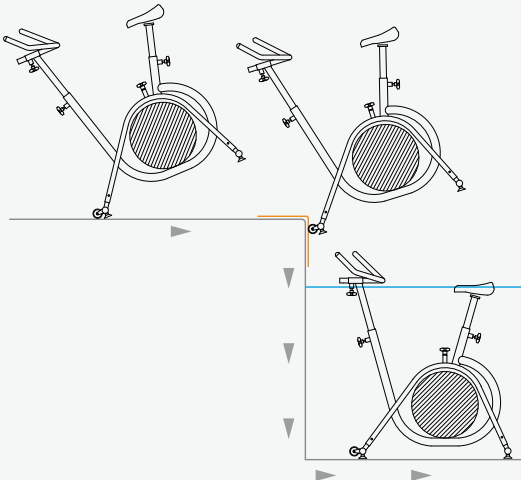
Make sure that on receipt of the Bike its packaging is not damaged. If it is, notify the carrier immediately as well as Aqquatix Usa. If possible take pictures to show the extent of the damage.



For additional instructions on assembly, please view the dvd.



TIPS FOR LOWERING THE BIKE INTO THE POOL



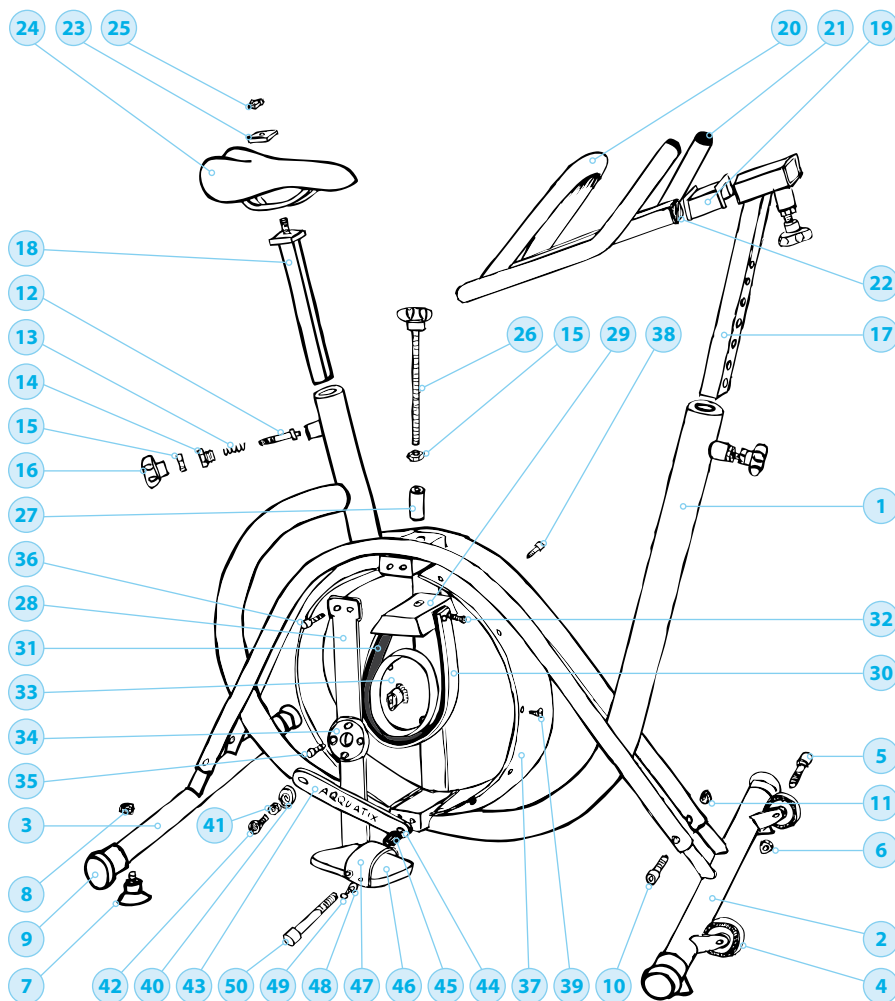
Board Guard
(optional)

Raise the bike onto the small wheels and simply roll over the edge, where the Board Guard is located, down the side of the pool until the bike reaches the pool floor. To remove the bike from the pool simply pull the bike up the pool wall on the small rubber wheels. Take care not to injure yourself during this process by bending your knees when lifting.

REPLACEMENT PARTS

8 REPLACEMENT PARTS

- • • If you need any replacement parts for the AQUACTIVE BIKE, please provide part identification no., description and code of the required part, which can be found in the listing of replacement parts. Send your request to our office (address below), and we will ship them to you.



**LISTING OF
REPLACEMENT PARTS**

No.	DESCRIPTION	QTY	CODE
1	STAINLESS STEEL FRAME	1	RACB 001
2	FRONT BAR BASE WITH WHEELS	1	RACB 002
3	BACK BAR BASE WITHOUT WHEELS	2	RACB 003
4	RUBBER WHEEL Ø 60x28 mm	2	RGEN 012
5	CYLINDRICAL CUP SCREW M 8x50 mm	2	RGEN 013
6	SELF-LOCK NUT M 8	2	RGEN 014
7	SUCTION CAP Ø 50x30 mm	4	RGEN 003
8	M 8x8 mm H NUT	4	RGEN 015
9	SPHERICAL CAP Ø 40x57 mm	4	RACB 004
10	CYLINDRICAL CAP SCREW M 8x40	4	RGEN 016
11	SELF-LOCK NUT M 8	4	RGEN 014
12	SAFETY AXLE M 10	3	RACB 005
13	SPRING Ø 12x20 mm	3	RGEN 005
14	NIPPLE M 18 - M 10	3	RACB 006
15	NUT M 10xh.5	6	RGEN 004
16	KNOB Ø 50x35 mm	4	RGEN 017
17	STAINLESS STEEL HANDLEBAR TUBE	1	RACB 007
18	STAINLESS STEEL SADDLE TUBE	1	RACB 008
19	PLASTIC HANDLEBAR GUIDE	1	RACB 009
20	STAINLESS STEEL HANDLEBAR	1	RACB 010
21	SPHERICAL CAP Ø 30 mm	2	RGEN 018
22	PLASTIC CAP 30x30 mm	1	RACB 011
23	STAINLESS STEEL HANDLEBAR PLAQUE	1	RACB 012
24	SPONGE STUFFED SADDLE	1	RGEN 019
25	NUT M 8xh.8	2	RGEN 020
26	KNOB WITH THREADED BAR M 10x230 mm	1	RACB 013
27	PLASTIC SPACER Ø 25x55 mm	1	RACB 014
28	STAINLESS STEEL PLATE 50x460 mm	2	RACB 015
29	PLASTIC BRAKE SUPPORT	1	RACB 016
30	STAINLESS STEEL COVER FOR BRAKE PADS 30x1,5x500 mm	1	RACB 017
31	PLASTIC BRAKE PAD 40x5x500 mm	1	RACB 018
32	CAP SCREW M 6x16 mm	4	RGEN 021
33	STAINLESS STEEL ROTOR Ø 110x30 mm	1	RACB 019
34	PLASTIC BEARING 60x15 mm	2	RACB 020

Continue>>

**LISTING OF
SPARE PARTS**

**TECHNICAL
ASSISTANCE**

No.	DESCRIPTION	QTY	CODE
35	CYLINDRICAL CAP SCREW M 6x16 mm	8	RGEN 021
36	HEXAGONAL SCREW M 8x16 mm	8	RGEN 022
37	COLOURED ABS COVER CASE	1	RACB 021
38	CROSS CAP SCREW M 6x10 mm	4	RGEN 023
39	SELF-TAPPING SCREW Ø 4,6x16 mm	10	RGEN 024
40	PLASTIC ANKLE PROTECTION	2	RGEN 025
41	WASHER Ø 8x24 mm	2	RGEN 008
42	HEXAGONAL SCREW M 8x16 mm	2	RGEN 022
43	STAINLESS STEEL PEDAL CRANK	2	RGEN 026
44	NUT M 12xh.12 mm	2	RGEN 027
45	PEDAL SPACER Ø 25x30 mm	2	RACB 022
46	PLASTIC ACTIVE PEDAL	2	RACB 023
47	RUBBER COVER PEDAL	2	RGEN 028
48	WASHER Ø 6x18 mm	8	RGEN 029
49	CROSS CAP SCREW M 6x16 mm	8	RGEN 021
50	CYLINDRICAL CAP SCREW M 12x130 mm	2	RACB 024

Aqquatix USA advises against using non original replacement parts which could compromise the equipment's features and performance.

9 TECHNICAL ASSISTANCE

••• For technical assistance please contact our customer service:

AQUATIX USA
P.O. Box 816639
Hollywood, FL 33081

Tel: 1-800-330-3228
info@aqquatixusa.com

For additional instructions on maintenance and replacement parts, view the enclosed dvd.



10 WARRANTY

- • • Return the completed warranty card with the equipment description and production serial number within 15 days of purchase of the equipment.
- • • Aqqatix USA warrants that the equipment is free from defects in materials and workmanship under normal use and service for the applicable warranty period. The applicable warranty period is 12 months from the date of purchase, and must be supported by an invoice or other documentation attesting to the equipment purchase date.
- • • Said warranty shall be valid only to the original purchaser of the equipment when the equipment is used in accordance with the supplied instructions.
- • • Under the warranty, Aqqatix USA will at its discretion repair or replace the equipment or defective components.

10.1 WARRANTY TERMS

- • • The warranty will only be honored following the presentation of documentation attesting to the purchase as specified above. The warranty does not apply if:
 - a. any modification and/or alteration of the equipment has been made to modify the performance or appearance of the equipment
 - b. there is any wear and tear to the component parts defined as consumable parts, namely, saddle, any Velcro bindings
 - c. damage is caused by:
 1. transportation from one location to another;
 2. incorrect use due to failure to comply with the instructions provided,
 3. improper or abnormal use;
 4. acts of nature, fire, accidents or the like;
 5. storing the equipment in unsuitable locations (e.g. dusty areas such as garages or cellars).

AQQATIX USA is not responsible for possible indirect damage caused by or connected with the use or the performance of the product.

- • • The warranty is the only warranty given by Aqqatix USA. No one is authorized to make any other warranties on Aqqatix USA's behalf.
- • • ANY IMPLIED WARRANTIES, INCLUDING MERCHANTABILITY OF FITNESS FOR A PARTICULAR PURPOSE, SHALL NOT EXTEND BEYOND THE APPLICABLE WARRANTY PERIOD SPECIFIED ABOVE. AQQATIX USA'S SOLE LIABILITY WITH RESPECT TO ANY DEFECT, SHALL BE AS SET FORTH IN THIS WARRANTY. IT IS AGREED THAT AQQATIX USA SHALL HAVE NO LIABILITY WHETHER UNDER THIS WARRANTY OR IN CONTRACT, TORT OR NEGLIGENCE OR OTHERWISE FOR CLAIMS FOR SPECIAL, INCIDENTAL OR CONSEQUENTIAL DAMAGES WHICH ARE EXPRESSLY EXCLUDED.
- • • Some states do not allow limitations on how long an implied warranty lasts, or for the exclusion of incidental or consequential damages, so the above may not apply to you.
- • • THE WARRANTY GIVES YOU SPECIFIC LEGAL RIGHTS, AND YOU MAY ALSO HAVE OTHER RIGHTS WHICH VARY FROM STATE TO STATE.

AQUATIX USA

P.O. Box 816639 ● ● ●
Hollywood, FL 33081

Tel: 1-800-330-3228 ● ● ●
info@aqquatixusa.com

AQUATIX USA

TECHNICAL ASSISTANCE CENTER
P.O. Box 816639
Hollywood, FL 33081